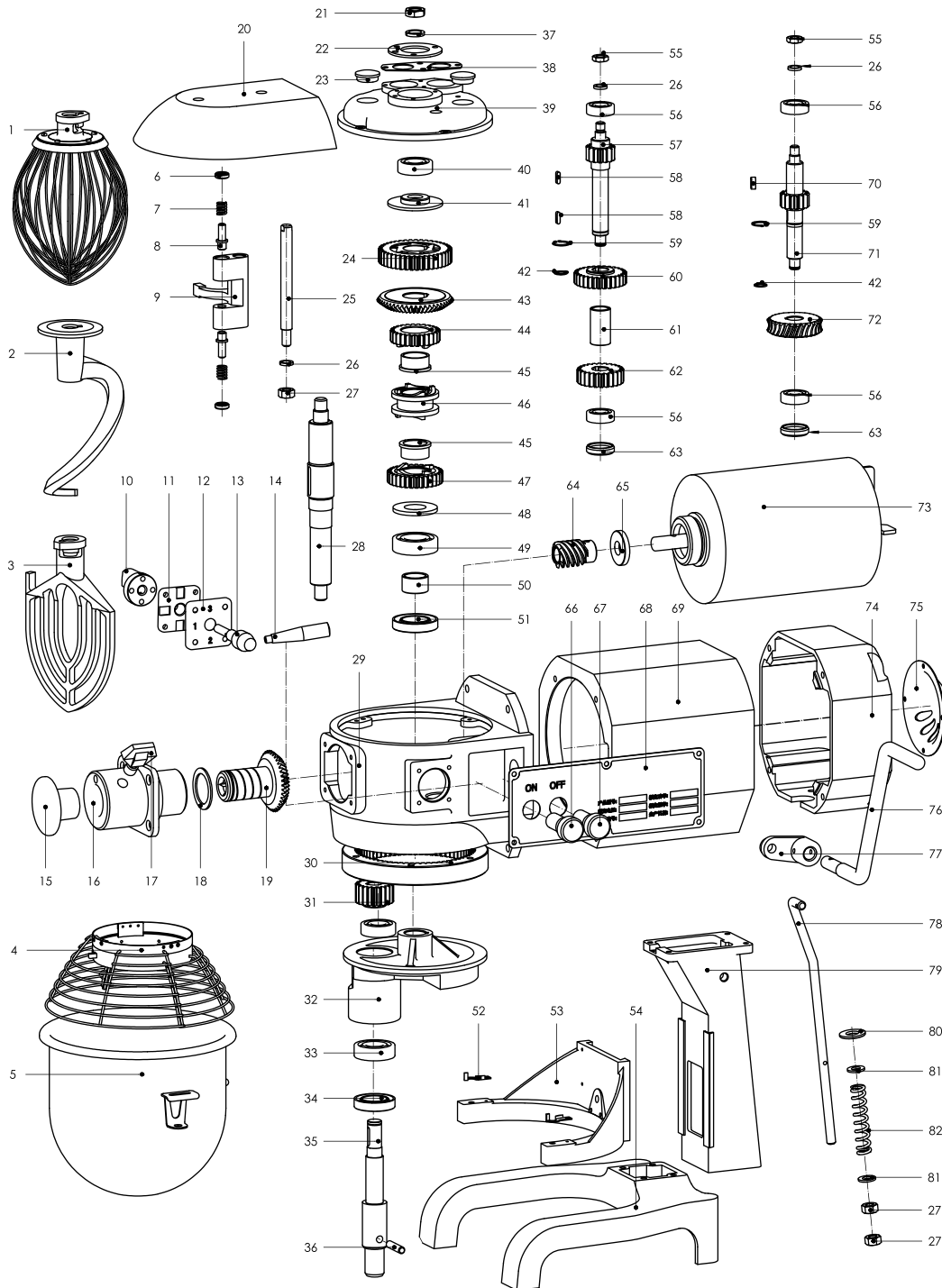


Parts Breakdown

Model MX-CN-0020-T 17835





Parts Breakdown

Model MX-CN-0020-T 17835

Item No.	Description	Position	Item No.	Description	Position	Item No.	Description	Position
25153	Wire Whip for 17835	1	24891	Working Shaft for 17835	35	24925	Red Button with Timer for 17835	67
25154	Dough Hook for 17835	2	24892	Retainer-Pin for 17835	36	24926	Brand for 17835	68
25155	Flat Beater for 17835	3	24893	Spring Washers for 17835	37	24927	Motor Box for 17835	69
25156	Safety Guard for 17835	4	24894	Pressing Plate for 17835	38	24928	Key for 17835	70
25157	Bowl Stainless Steel 304 for 17835	5	24895	Transmission Shaft Support for 17835	39	24929	Shaft Worm Gear for 17835	71
24862	Shifting Yoke for 17835	6-9	25006	Bearing for 17835	40	24930	Gear for 17835	72
24863	Cam-Gear Shifter for 17835	10	24897	Spacer-Lower for 17835	41	24931	Motor for 17835	73
24864	Plate-Shifter Index for 17835	11	24898	Circlips for Shaft for 17835	42	24932	Back Housing for 17835	74
24865	Handle-Shifter Cover for 17835	12	25814	Taper Gear Wheel for 17835	43	24933	Back Cover for 17835	75
24866	Handle-Shifter for 17835	13	24900	Gear for 17835	44	24934	Handle-Shifter for 17835	76
24867	Speed Handle for 17835	14	24901	Bushing for 17835	45	24935	Crank Lever for 17835	77
24967	Plug for 17835	15	24902	Sleeve for 17835	46	24936	Connecting Rod for 17835	78
24869	Attachment Hub for 17835	16	24903	Claw Type Gear Wheel for 17835	47	24937	Stand Column for 17835	79
24870	Tighten Handle for 17835	17	24904	Gasket for 17835	48	24938	Spacer for 17835	80
24871	Ring for 17835	18	24905	Bearing 6205 for 17835	49	24939	Spacer for 17835	81
24872	Tapered Gear Wheel for 17835	19	24906	Bushing for 17835	50	24940	Spring for 17835	82
24873	Top Cover for 17835	20	24907	Oil Seal for 17835	51	24941	Hood Ring for 17835	83
25714	Nut 14x1.5 for 17835	21	24908	Press Board for 17835	52	16323	Run Capacitor - 40 UF for 17835	
24875	Pressing Plate for 17835	22	24909	Support for 17835	53	24943	Start Capacitor - 300 UF for 17835	
24985	Plug Cover for 17835	23	24910	Base for 17835	54	24944	Contacto-Relay for 17835	
24877	Big Gear for 17835	24-1	24911	Nut for 17835	55	24945	Power Cord for 17835	
24878	Gear for 17835	24-2	24912	Bearing 6201 for 17835	56	25204	Magnet for Safety Guard for 17835	
24879	Roller 8x15 for 17835	24-3	24913	Mid-Gear Wheel for 17835	57	24946	Reset-Overload Switch for 17835	
24880	Spring for 17835	24-4	24914	Key for 17835	58	25202	Bowl Guard Clip Plastic for 17835	
24881	Declutch Shift Shaft for 17835	25	24915	Circlips for Shaft for 17835	59	25203	Knob for 17835	
24882	Ring for 17835	26	24916	Gear for 17835	60	24947	Safety Guard - Bowl Switch for 17835	
24883	Nut for 17835	27	24917	Bushing for 17835	61	25205	Screw for 17835	
24884	Main Shaft for 17835	28	24918	Gear for 17835	62	25152	Timer Knob for 17835	
24885	Gear Box for 17835	29	24919	Plug Cover for 17835	63	64156	Locking Screws of Press Board for 17835	
24886	Internal Gear for 17835	30	25013	Worm Wheel for 17835	64	AC907	Bowl Locating Pin for 17835	
24887	Gear for 17835	31	24921	Oil Seal for 17835	65	69760	Top Cover Screw M6x30 for 17835	
24888	Operating Shelf for 17835	32	24922	Green Button Round for 17835	66	69761	Top Cover Screw M6x40 for 17835	
25070	Bearing 6204 for 17835	33	24923	Green Button with Timer for 17835	66			
24890	Oil Seal for 17835	34	24924	Red Button Round without Timer for 17835	67			